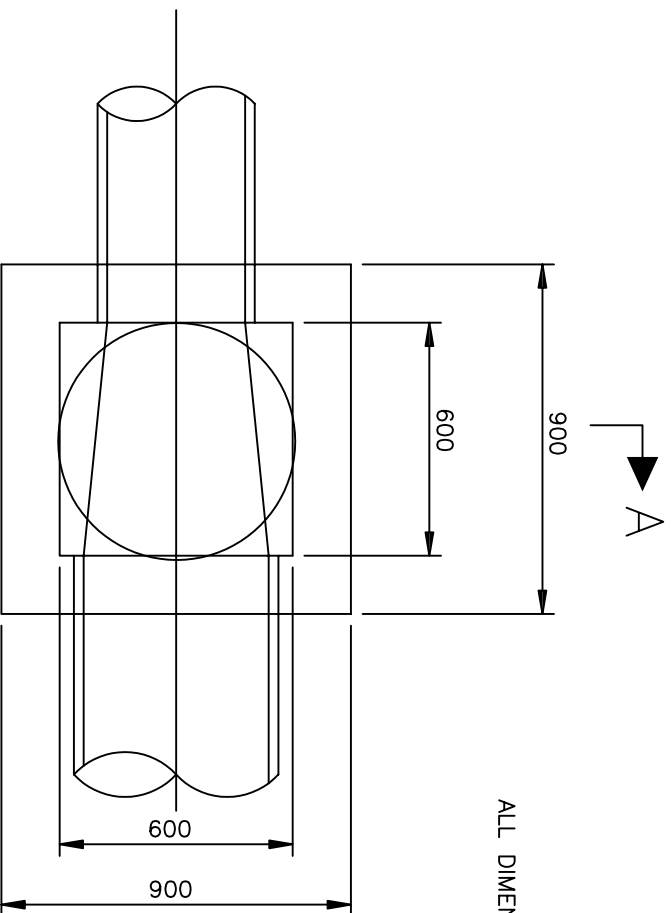
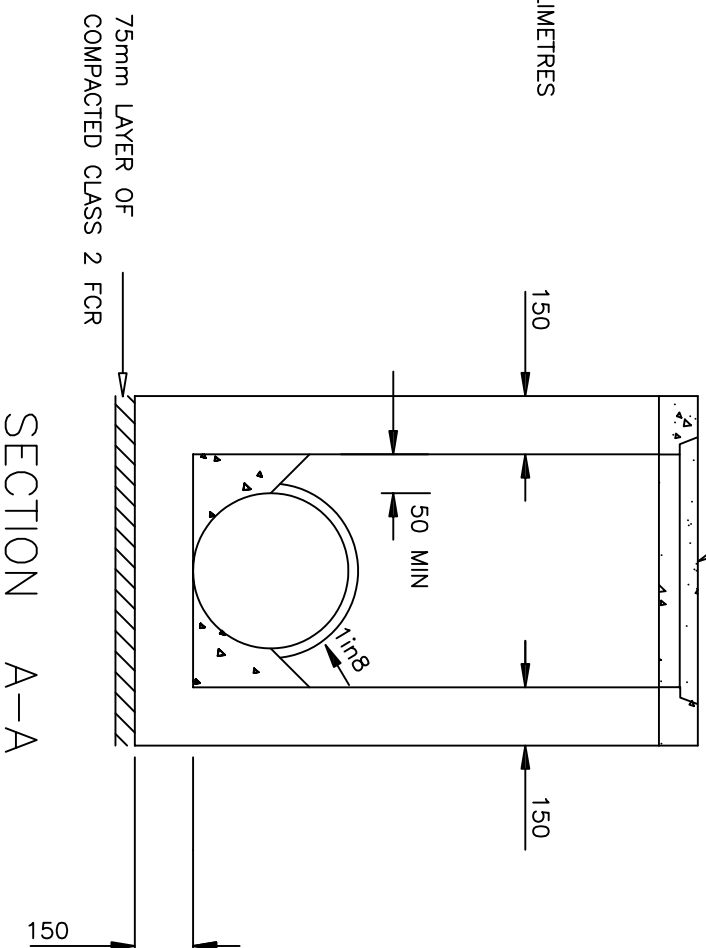


100mm PRECAST CONCRETE LID
WITH CIRCULAR CAST IRON INSERT.
SEE STD. DWG SD274 FOR COVER DETAILS.



ALL DIMENSIONS IN MILLIMETRES



NOTES:

1. ALL WALLS TO BE 150mm THICK
2. THE TOP OF THE PIT SHALL MATCH THE EXISTING SURFACE
3. THE PIT IS ONLY TO BE USED IN EASEMENT DRAINAGE, WITH PIPE DIAMETER LIMITED TO 450mm AND PIT DEPTH 900mm.
4. FOR PIT DEPTH GREATER THAN 900mm OR PIPE DIAMETER GREATER THAN 450MM, PIT SIZE TO BE 900 X 600mm. REFER TO STD. DWG. SD230
5. PRECAST CONCRETE COVER WITH CLASS B CIRCULAR CAST IRON INSERT TO BE USED ON ALL PITS OVER 600 X 600mm. REFER TO STD. DWG. SD275
6. PIT TO BE HAUNCHED FOR PIPE DIAMETERS OVER 450mm OR DEPTH EXCEEDING 2.0m, REFER TO STD. DWG. SD245
7. PROVIDE STEP IRONS FOR PIT DEPTHS EXCEEDING 1.0m, REFER TO STD. DWG. SD280
8. PRECAST CONCRETE COVER WITH CLASS B CIRCULAR CAST IRON INSERT TO BE USED ON ALL PITS OVER 600 X 600mm. REFER TO STD. DWG. SD275

PLAN

SECTION A-A

Amendments		Initials	Date
No.	Detail		
1.	PIT COVER CHANGED TO SD 274	R.C.	Sept 05
DRAWN : S. GUCH			
CHECKED : R. DEVAPURA			
APPROVED : S. PLATER			
SCALE : 1 : 20			
DATE: JUNE 2004			



P.O. Box 119
1079 Traralgon Vale Road
Brookwood
Victoria 3847
Telephone
(03) 9305 2200
Facsimile
(03) 9309 0109

EASEMENT PIT (600x600)

DRAWING NO:

SD235