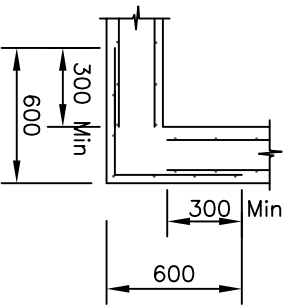


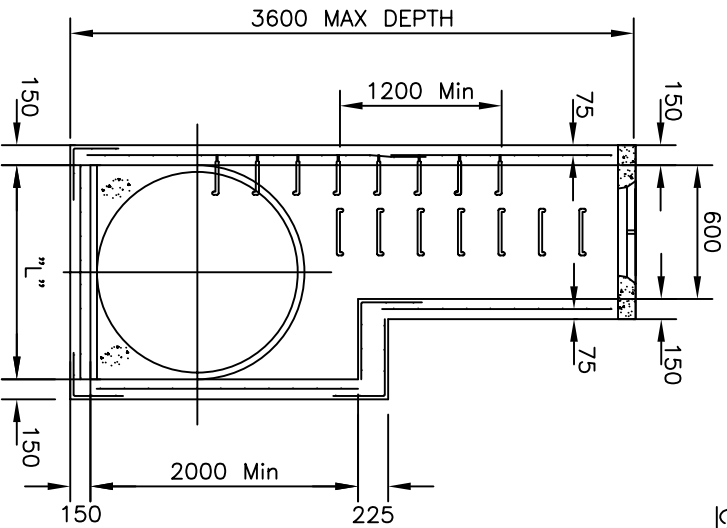
PIT LENGTH "L"	REINFORCEMENT
UP TO 1200	SL92
1201 - 1800	RL918
1801 - 2400	RL1218

**REINFORCEMENT DETAILS**

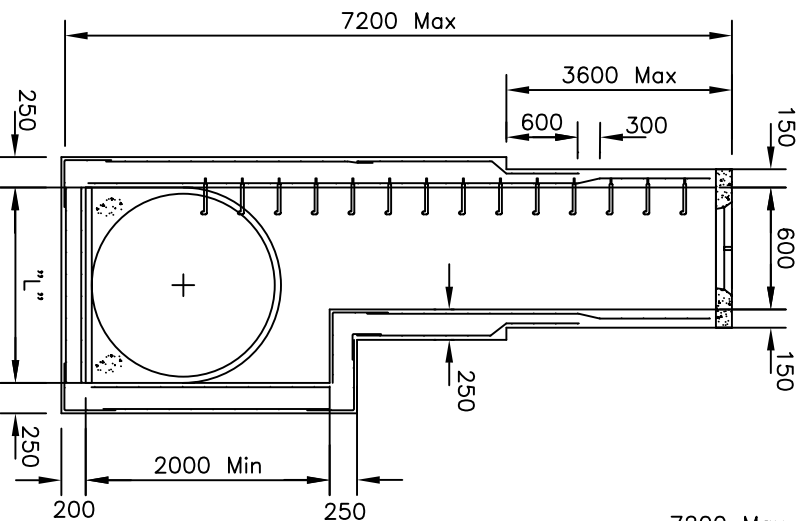


PITS WITH HAUNCHING IN TWO DIRECTIONS REQUIRE SPECIAL STRUCTURAL DESIGN LAPS TO BE 300mm, CLEAR COVER TO BE 50mm Min. CORNER RETURN REINFORCEMENT TO BE FABRIC OR EQUIVALENT BARS

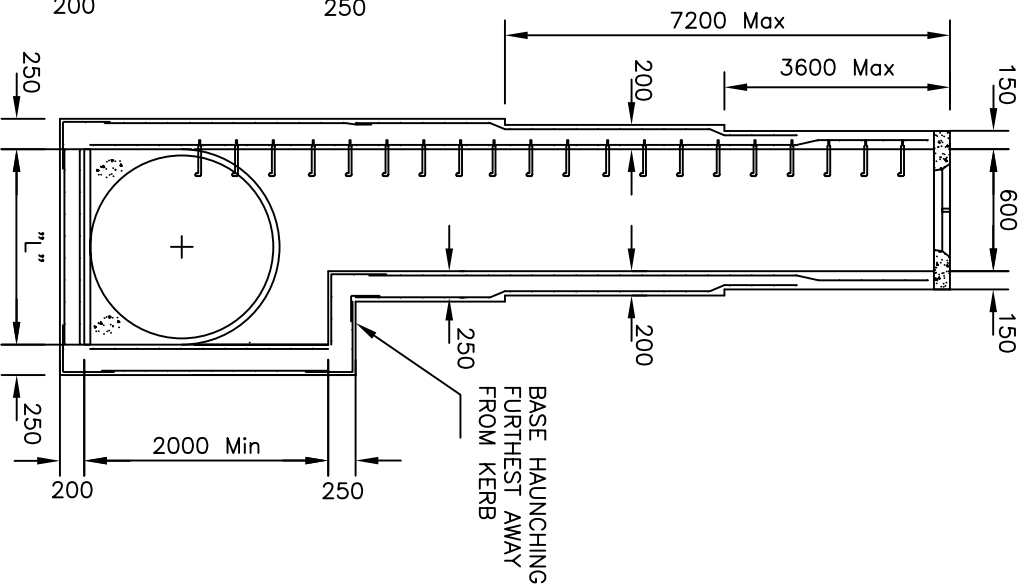
**CORNER DETAILS (PLAN VIEW)**



- NOTES:**
1. THE TOP OF THE PIT SHALL MATCH FINISHED SURFACE LEVELS
  2. CLASS B, CIRCULAR CAST IRON INSERT AND PRECAST PIT LID SHALL BE USED IN NATURESTRIPS, EASEMENTS AND RESERVES, REFER TO STD. DWG. SD275.
  3. CLASS D, CAST IRON COVER AND SURROUND SHALL BE USED WHEN PIT IS LOCATED IN ROAD PAVEMENTS OR WITHIN 1m OF VEHICLE CROSSINGS. PROVIDE STEP IRONS FOR PIT DEPTH EXCEEDING 1.0m, REFER TO STD. DWG. SD280.
  4. CONCRETE STRENGTH 32Mpa AT 28 DAYS.
  5. FOR PIPE SIZES 450-750mm, "L" TO BE 900mm
  6. FOR PIPE SIZES OVER 750mm, "L" TO BE DIA.+100mm.
  7. FOR PITS OVER 2.0m DEEP, BUT WITH PIPE SIZES LESS THAN 450mm, "L" TO BE 900mm
  - 8.



PITS 3601 TO 7200 DEPTH



PITS 7201 TO 10800 DEPTH

**Amendments**

No.	Detail	Initials	Date
1.	Mesh Codes Changed	R.C.	July 06

DRAWN : R. CHARTERS

CHECKED : R. DEVAPURA

APPROVED : S. PLATER

SCALE : N.T.S

ISSUE DATE: JUNE 2004



Po Box 119  
1079 Pascoe Vale Road  
Brookmeadows  
Victoria 3047  
Telephone (03) 9205 2200  
Facsimile (03) 9309 0109

**HAUNCHED PITS**

FOR PIPES OVER 450mm IN DIA.  
OR PITS DEEPER THAN 2.0m

DRAWING NO: SD245