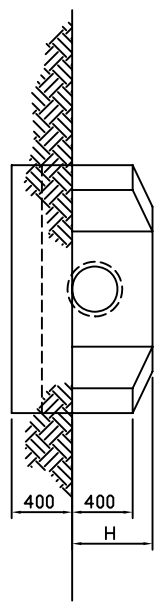
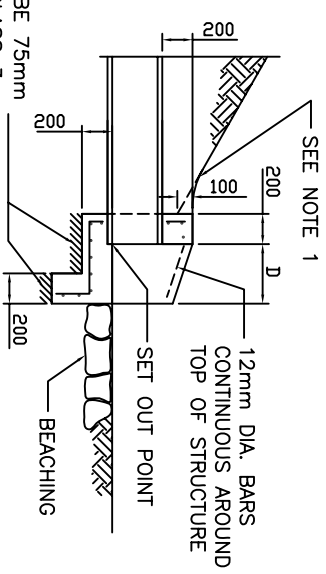


ISOMETRIC VIEW

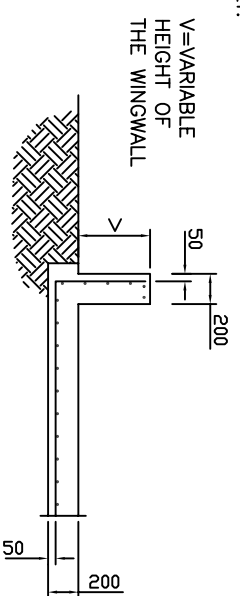


ELEVATION

BEDDING TO BE 75mm COMPACTED CLASS 3 CRUSHED ROCK



SECTION A-A



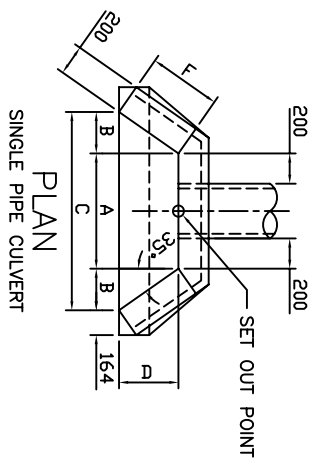
SECTION B-B

NOTES:

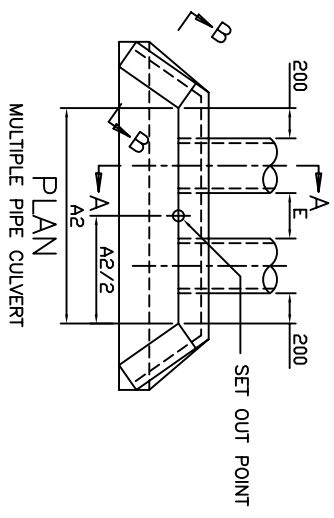
1. BECAUSE THE RELATION OF THE BATTER TO THE TOP OF THE ENDWALL IS ESSENTIAL FOR THE SAFETY OF THE MOTORIST THE DETAILS AS SHOWN IN SECTION A-A MUST BE ADHERED TO DURING CONSTRUCTION.
2. REINFORCEMENT, SL82 UNLESS OTHERWISE SPECIFIED, SHALL BE CONTINUOUS AROUND CORNERS AND LOCATED AS SHOWN ON SECTIONS A-A AND B-B. CLEAR COVER 50mm MINIMUM. LAPS : FABRICS 300 MIN. BARS 25x(BAR DIA.) MIN.
3. DISTRIBUTION BARS 12mm DIA. AT 200mm CENTRES.
4. CONCRETE STRENGTH 30 MPa.
5. EXPOSED EDGES SHALL HAVE 20x20mm CHAMFERS.
6. COMPACTION PRESSURE BEHIND WALLS NOT TO EXCEED 15 MPa. (1.5 TONNE VIBRATORY ROLLER OR 300 kg VIBRATING PLATE WITHIN 0.5m OF WALL.

DIMENSIONS		TYPE 1 *SLOPE AT 1.5:1				TYPE 2 *SLOPE AT 2:1				TYPE 3 *SLOPE AT 3:1						
		B	C	D	F	B	C	D	F	B	C	D	F			
NOM. PIPE DIA.	EXTER. PIPE DIA.#	A**	E	H												
300	362	762	300	531	138	1037	197	240	183	1129	262	320	275	1312	393	480
375	445	845	300	610	221	1286	315	385	294	1433	420	513	441	1727	630	769
450	534	934	300	692	307	1547	438	535	409	1752	584	713	613	2161	876	1069
525	616	1016	300	775	394	1804	563	687	525	2066	750	916	788	2591	1125	1373

\* THEORETICAL SLOPE OF WINGWALL MEASURED AT RIGHT ANGLES TO THE ROADWAY.  
\*\* A2=A+E+EXTERNAL DIAMETER OF PIPE  
# APPROXIMATE ONLY.



PLAN SINGLE PIPE CULVERT



PLAN MULTIPLE PIPE CULVERT

Amendments				
No.	Zone	Detail	Initials	Date
1.		Mesh Code Changed	R.C.	July 08

DRAWN : D. SALAZAR  
CHECKED : R. DEVAPURA  
APPROVED : S. PLATER  
SCALE : 1 : 50  
ISSUE DATE: JUNE 2004



Po Box 119  
1079 Pascoe Vale Road  
Broadmeadows  
Victoria 3047  
Telephone (03) 9205 2200  
Facsimile (03) 9309 0109

TYPE : REINFORCED CONCRETE WINGWALL  
TYPES 1,2 & 3  
Pipe Culverts 300mm to 525mm Dia.  
DRAWING NO: SD260