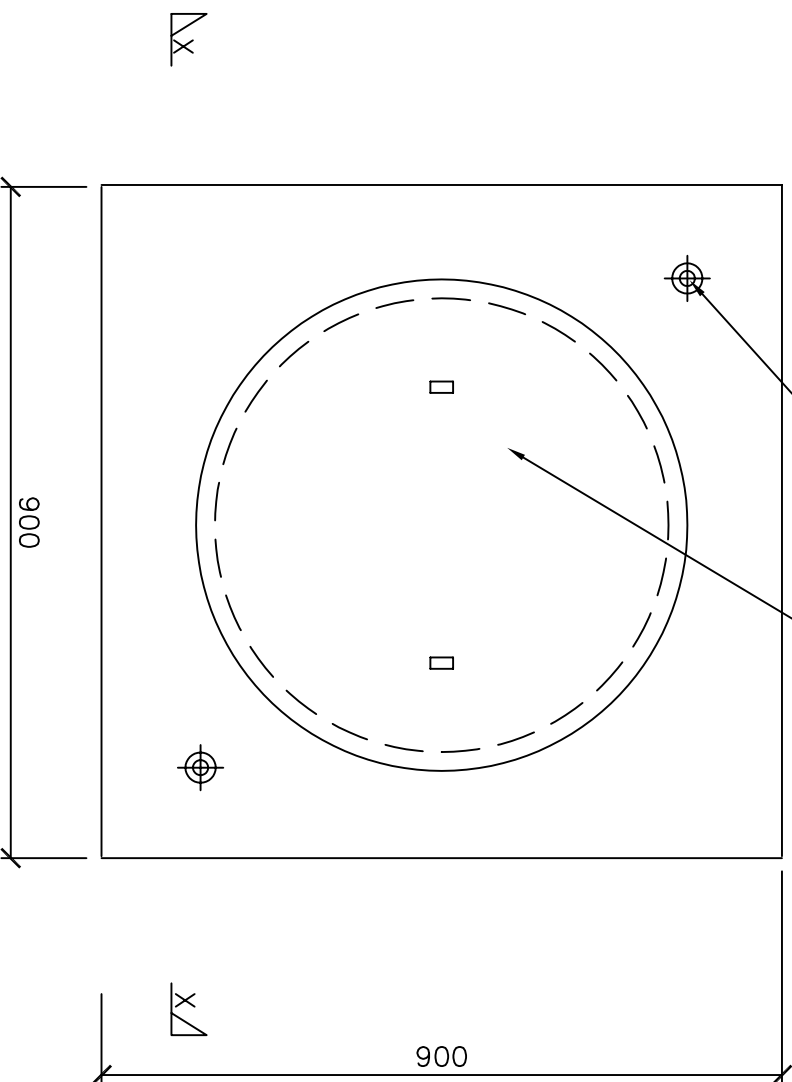
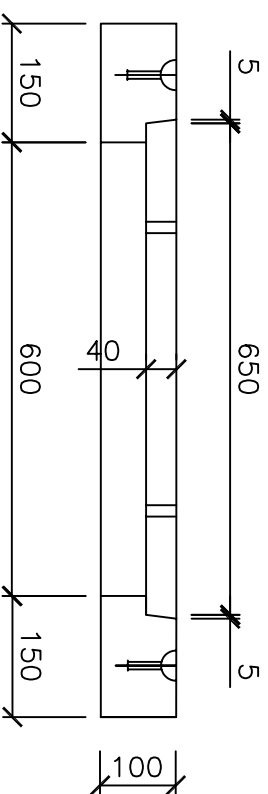


2 NO. 1.3 TONNE X 55 LONG SWIFT LIFTS FOR HANDLING

CLASS B CONCRETE FILLED CIRCULAR CAST IRON INSERT WITH 2 STANDARD LIFTING KEY LUGS



## PLAN



## SECTION X-X

- NOTES:
1. THIS PIT LID TO BE USED ON EASEMENT PITS WITH INTERNAL DIMENSIONS 600 x 600.
  2. CONCRETE STRENGTH 25Mpa AT 28 DAYS

ALL DIMENSIONS ARE IN MILLIMETRES.

### Amendments

No.	Detail	Initials	Date

DRAWN : R. CHARTERS

CHECKED : R. DEVAPURA

APPROVED : S. PLATER

SCALE : 1 : 15

DATE: SEPT 2005



Po Box 119  
Broadmeadows  
Victoria 3047  
Telephone (03) 9205 2200  
Facsimile (03) 9309 0109

PRECAST CONCRETE PIT LID  
WITH CAST IRON INSERT FOR  
600mm x 600mm EASEMENT PITS.

DRAWING NO:

SD274