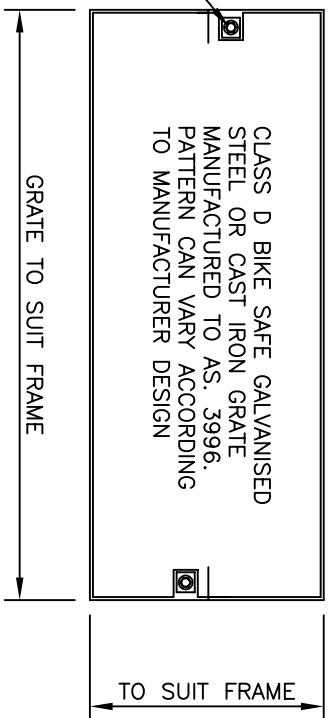
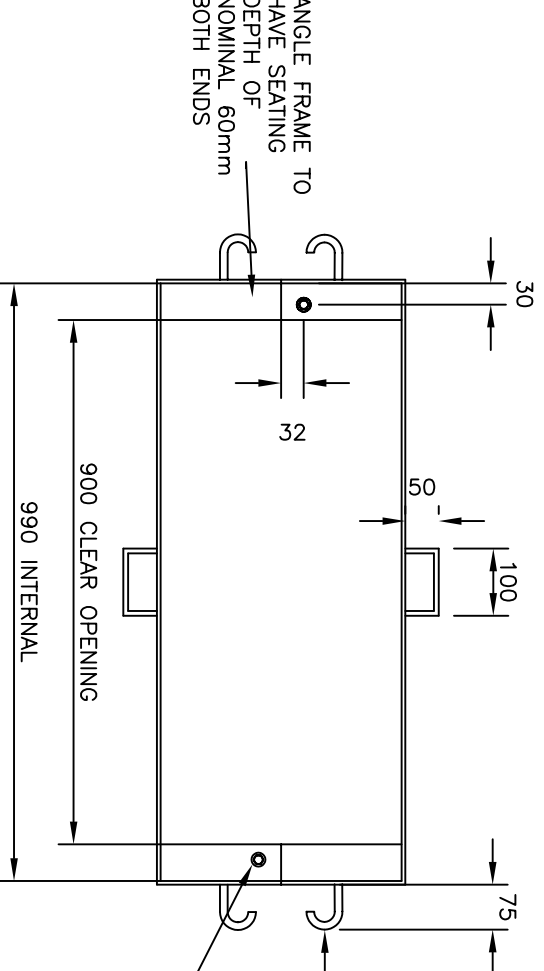


PROVISION FOR LOCK DOWN GRATE

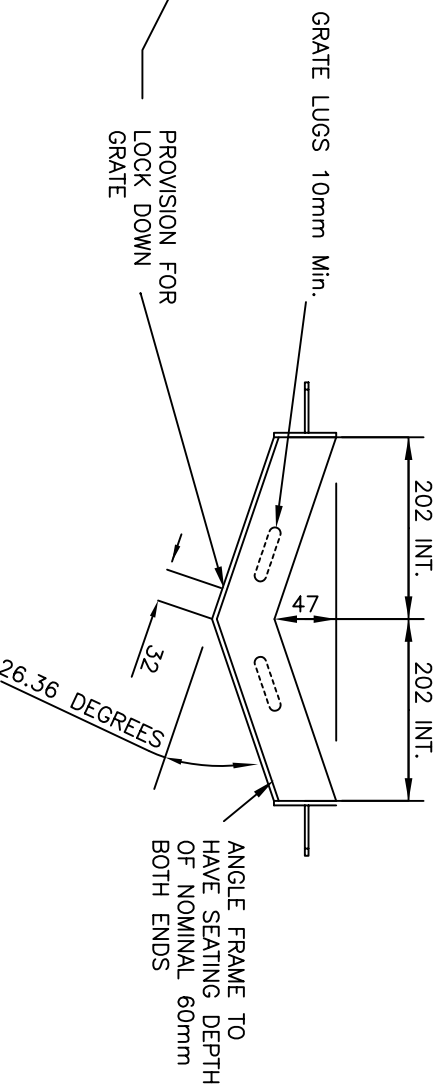


GRATE

- NOTES:
1. GRATE PATTERN TO BE DESIGNED BY MANUFACTURER TO FIT THE FRAME.
 2. GRATE TO BE BIKE SAFE, ABLE TO BE LOCKED DOWN, HOT DIP GALVANISED OR CAST IRON.
 3. GRATE TO BE CLASS D IN ACCORDANCE WITH AS. 3996.
 4. APPROVED GRATES TO BE USED ONLY AFTER SUBMISSION OF TEST RESULTS FROM NATA APPROVED TESTERS.
 5. FRAME AND LUGS TO BE FULLY WELDED FROM OUTSIDE ONLY.
 6. ALL DIMENSIONS IN MILLIMETRES.



FRAME



SECTION THROUGH FRAME

Amendments

No. Detail Initials Date

DRAWN : R. CHARTERS
 CHECKED : R. DEVAPURA
 APPROVED : S. PLATER
 SCALE : N.T.S
 ISSUE DATE: JUNE 2004



Po Box 119
 1079 Pascoe Vale Road
 Broadmeadows
 Victoria 3047
 Telephone (03) 9205 2200
 Facsimile (03) 9309 0109

GRATE DETAIL

SM2(MOD) KERB AND CHANNEL

DRAWING NO:

SD278