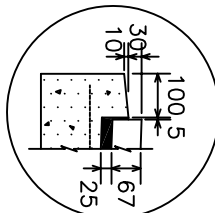
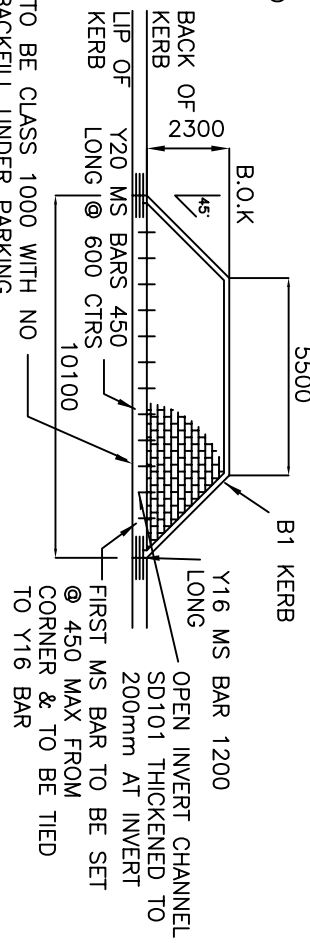


BRICK PAVING WITH B1 KERB

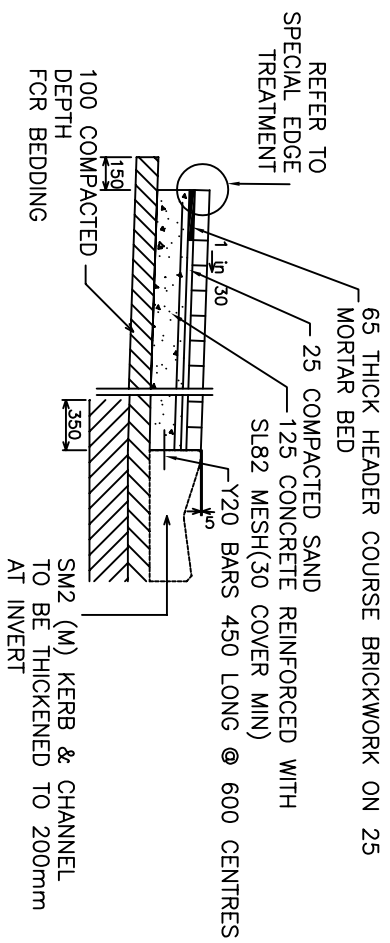
NOTE: AG DRAINS TO BE CLASS 1000 WITH NO FINES CONCRETE BACKFILL UNDER PARKING BAYS

PARKING BAY SETOUT DETAIL



SPECIAL EDGE TREATMENT FOR PARKING BAYS

PARKING BAYS - VARIES, REFER TO SET OUT DETAILS

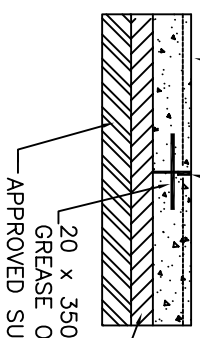


PAVING DETAIL WITHOUT A KERB

NOTES:

1. CONCRETE STRENGTH TO BE 25 MPa FOR PLAIN CONCRETE, 32MPa FOR COLOURED CONCRETE.
2. COLOUR AND TYPE OF PAVING TO MATCH EXISTING PAVING IN THE STREET.
3. THICKNESS OF CONCRETE INTERLOCKING PAVERS TO BE 80 WHEN USED INSTEAD OF BRICK PAVERS. ANY ADJUSTMENTS IN OVERALL DEPTH TO BE IN THE CLASS 2 FCR BEDDING LAYER.
4. FOR END BAYS ALLOW 5500 LENGTH.
5. FOR INTERNAL BAYS ALLOW 6000 FOR EACH ADDITIONAL BAY.
6. AG DRAINS TO BE CLASS 1000 WITH NO FINES CONCRETE BACKFILL UNDER PARKING BAYS.

PATTERN PAVED CONCRETE PAVEMENT



60 x 15 PRECOMPRESSED CORK OR OTHER APPROVED MATERIAL AT CONTRACTION/CONSTRUCTION JOINTS PLACED BY APPROVED METHODS AS SPECIFIED.

100 MIN. COMPACTED DEPTH CLASS 2 CRUSHED ROCK.

Amendments		Initials	Date
No.	Detail		
1.	Kerb Thickened	R.C.	Jun 05
2.	Mesh Codes Changed	R.C.	July 06
3.	AG Drain Note Added	R.C.	Oct 07

DRAWN : S. ADAMS
 CHECKED : S. BHALLA
 APPROVED : S. PLATER
 SCALE : N.T.S.
 ISSUE DATE: JUNE 2004

PO Box 119
 1079 Pascoe Vale Road
 Broadmeadows
 Victoria 3047
 Telephone (03) 9205 2200
 Facsimile (03) 9309 0109

TYPE :	INDENTED CAR PARKING BAY
DRAWING NO.:	SD307