

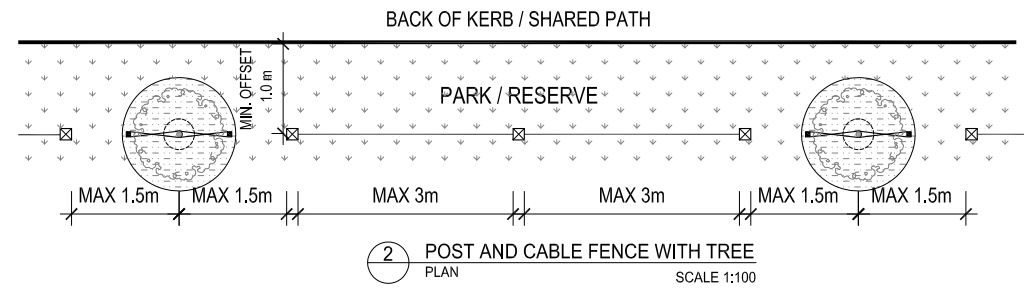
**1 BOLLARD**  
DETAIL SECTION SCALE 1:20

TOP OF BOLLARD - REFER DETAIL 6

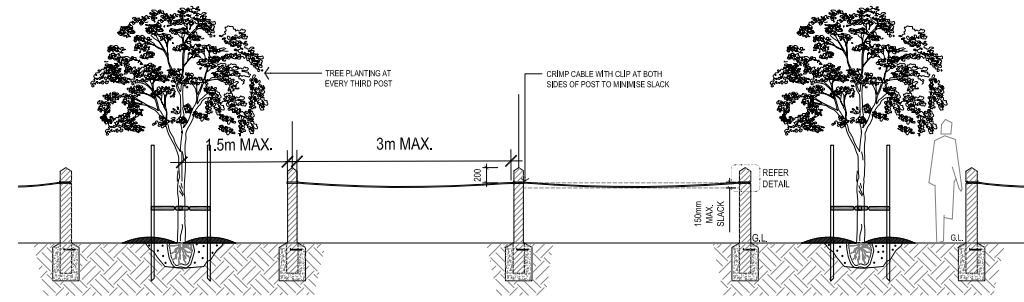
12mm Ø GALVANISED STEEL TWISTED CABLES AND CRIMP CABLE WITH CLIPS AT BOTH SIDES OF BOLLARD

150mm BRIDGE SPIKE INSERTED 50mm INTO POST OR PROVIDE PRE-DRILLED 50mm Ø HOLE IN CENTRE OF BOLLARD

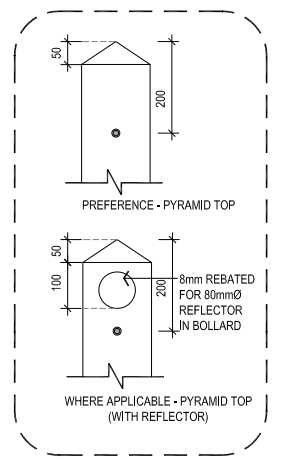
MIN. 25MPA CONCRETE FOOTING, WITH CHAMFERED EDGE.



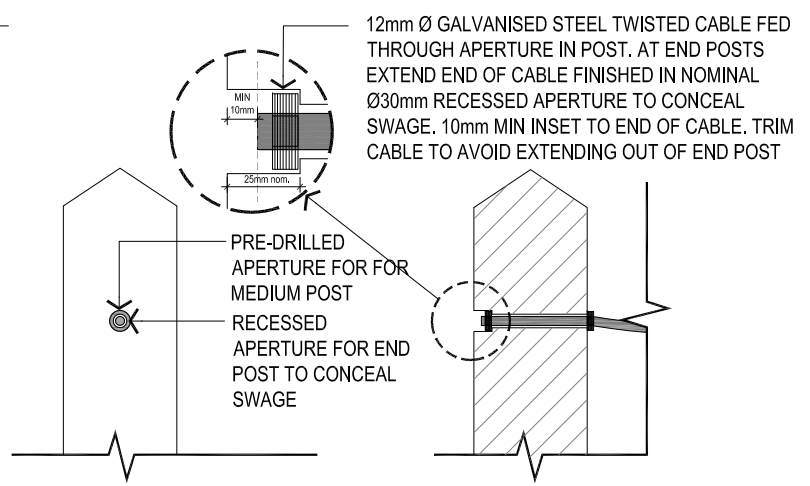
**2 POST AND CABLE FENCE WITH TREE**  
PLAN SCALE 1:100



**3 POST AND CABLE FENCE WITH TREE**  
ELEVATION / SECTION SCALE 1:100



**6 BOLLARD TOP FORM**  
ELEVATION SCALE: NTS

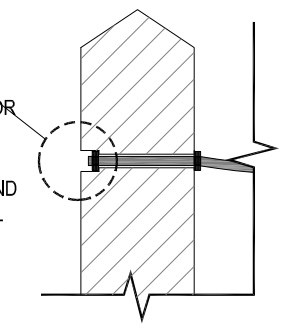


**4 CABLE ASSEMBLY**  
CROSS SECTIONS SCALE 1:10

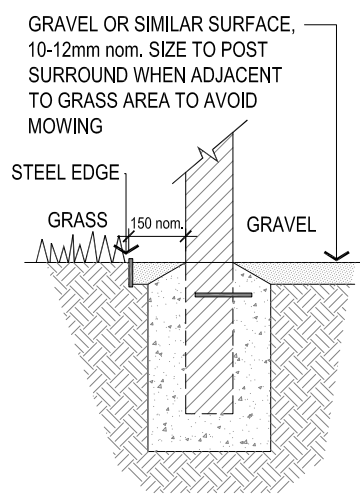
12mm Ø GALVANISED STEEL TWISTED CABLE FED THROUGH APERTURE IN POST. AT END POSTS EXTEND END OF CABLE FINISHED IN NOMINAL Ø30mm RECESSED APERTURE TO CONCEAL SWAGE. 10mm MIN INSET TO END OF CABLE. TRIM CABLE TO AVOID EXTENDING OUT OF END POST

PRE-DRILLED APERTURE FOR FOR MEDIUM POST

RECESSED APERTURE FOR END POST TO CONCEAL SWAGE



**5 END CABLE ASSEMBLY**  
CROSS SECTIONS SCALE 1:10



**7 OPTIONAL - GRAVEL FINISHING**  
SECTION SCALE 1:20

**NOTES:**

FINAL SETOUT TO BE CONFIRMED ONSITE WITH COUNCIL

**BOLLARD / POST WIDTHS:**

- 125 x 125mm
- 150 x 150mm

**APPROVED BOLLARD MATERIALS:**

- Solid Plastic Composite, charcoal colour
- Solid Recycled Plastic, charcoal colour