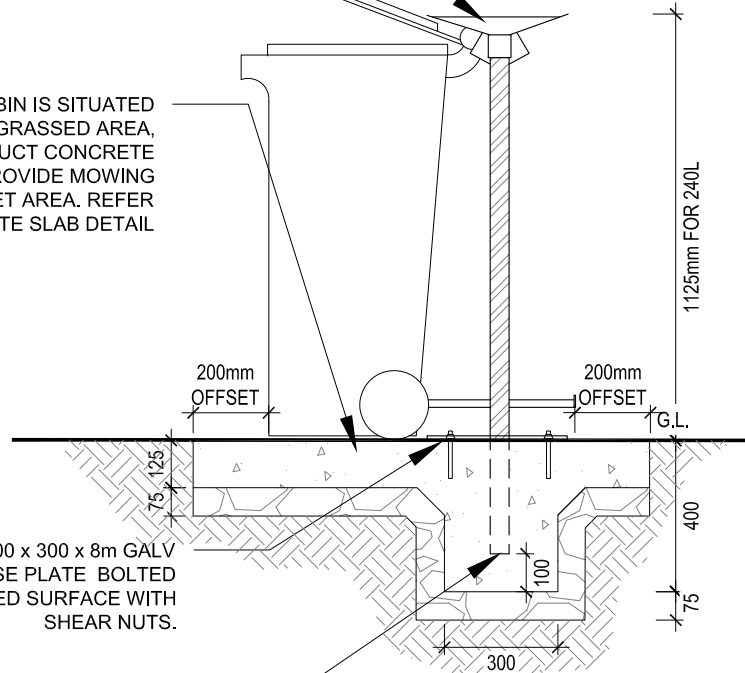


TYPICAL SINGLE OR DOUBLE
LOCKED PLAIN GALVANISED
STEEL SECURITY POST
SUITABLE FOR 120 AND 240 LITRE
PLASTIC WHEELED BINS

WHERE BIN IS SITUATED
WITHIN GRASSED AREA,
CONSTRUCT CONCRETE
PAD TO PROVIDE MOWING
OFFSET AREA. REFER
CONCRETE SLAB DETAIL



OPTIONAL : 300 x 300 x 8m GALV
STEEL BASE PLATE BOLTED
DOWN TO PAVED SURFACE WITH
SHEAR NUTS.

BIN SECURITY POST EXTENDED INTO 400
x 300 x 300mm CONCRETE FOOTING.
FOR CONCRETE SLAB DIMENSIONS
REFER TYPICAL SECURITY POST AND BIN
LAYOUT DETAIL

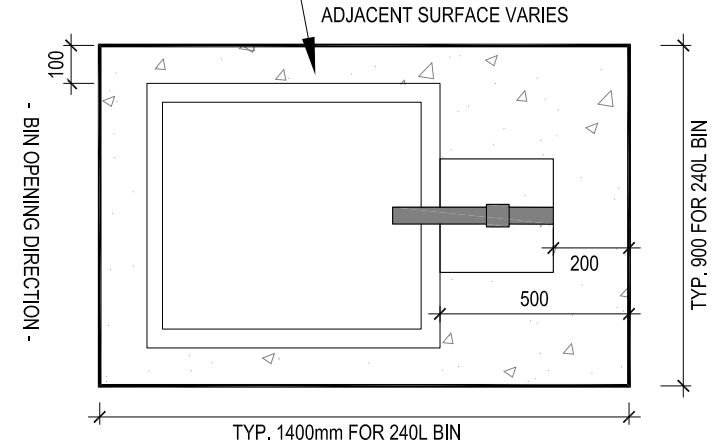
01 TYPICAL BIN SECURITY POST
CROSS SECTION 1:20

NOTE:

BIN SECURITY POST ONLY TO BE USED IN RESERVE ENVIRONMENTS,
NOT STREETSCAPES.

TYPICAL FOOTING DEPTH SHOWN. MAY VARY DEPENDING ON
INDIVIDUAL SITE SOIL REACTIVITY.

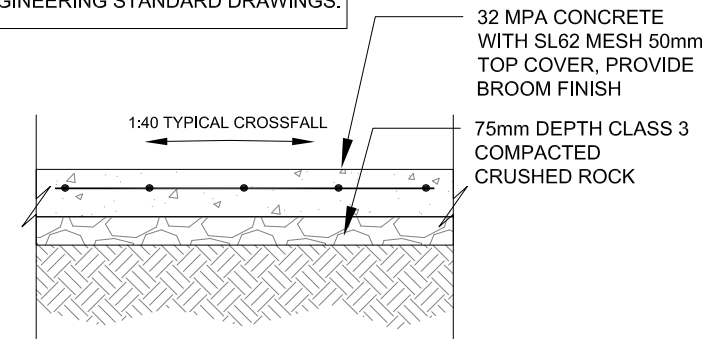
1400 x 900 x 125mm DEEP 32MPA
CONCRETE WITH OFFSET FOR
MOWING EDGE.
REFER CONCRETE SLAB DETAIL



02 TYPICAL SECURITY POST AND BIN LAYOUT
PLAN 1:20

NOTE:

FOR CONCRETE JOINTS REFER TO
ENGINEERING STANDARD DRAWINGS.



03 CONCRETE SLAB DETAIL
DETAIL 1:20



PO Box 119
1079 Pascoe Vale Road
Broadmeadows
Victoria 3047
Telephone
(03) 9205 2200
Facsimile
(03) 9309 0109
<http://www.hume.vic.gov.au>

STATUS: FOR USE
DRAWN: 28/03/2014
UPDATED: 03/04/2024
SCALE: 1:20 @A4

STANDARD LANDSCAPE DRAWING

FURNITURE AND FIXINGS - SECURITY POST BIN

DRAWING NO.

SLD - 5.7A