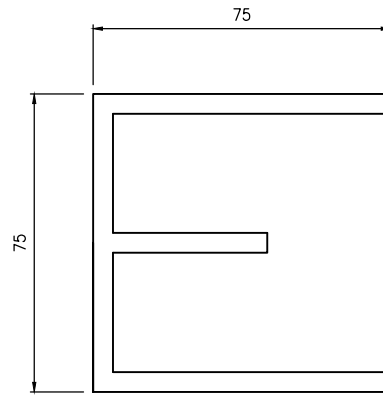
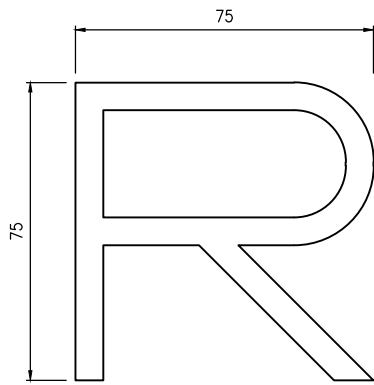


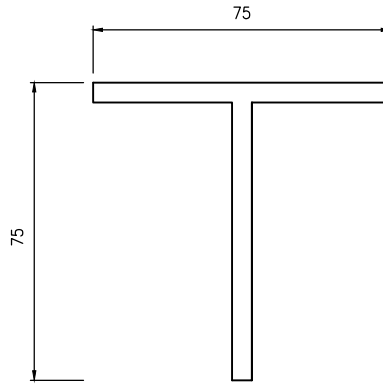
THIS SYMBOL SHALL BE STAMPED INTO THE FACE OF THE KERB IMMEDIATELY ABOVE THE POSITION WHERE A WATER SERVICE CONDUIT IS PLACED ACROSS THE ROADWAY.



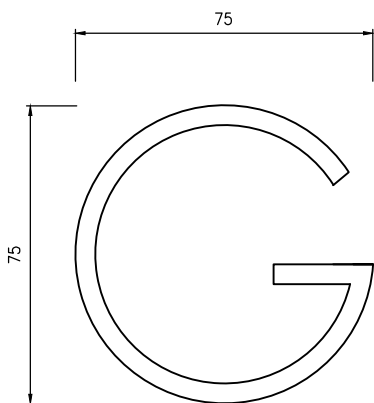
THIS SYMBOL SHALL BE STAMPED INTO THE FACE OF THE KERB IMMEDIATELY ABOVE THE POSITION WHERE AN ELECTRICAL SERVICE CONDUIT IS PLACED ACROSS THE ROADWAY.



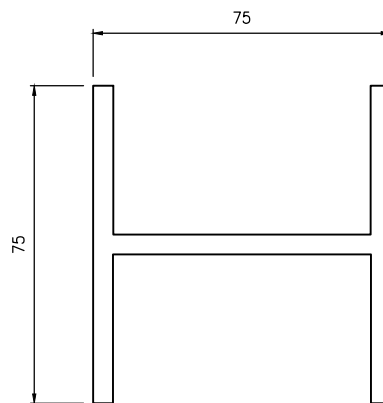
THIS SYMBOL SHALL BE STAMPED INTO THE FACE OF THE KERB IMMEDIATELY ABOVE THE POSITION WHERE A RECYCLED WATER SERVICE CONDUIT IS PLACED ACROSS THE ROADWAY.



THIS SYMBOL SHALL BE STAMPED INTO THE FACE OF THE KERB IMMEDIATELY ABOVE THE POSITION WHERE A TELECOMMUNICATIONS SERVICE CONDUIT IS PLACED ACROSS THE ROADWAY.



THIS SYMBOL SHALL BE STAMPED INTO THE FACE OF THE KERB IMMEDIATELY ABOVE THE POSITION WHERE A GAS SERVICE CONDUIT IS PLACED ACROSS THE ROADWAY.



THIS SYMBOL SHALL BE STAMPED INTO THE FACE OF THE KERB IN LINE WITH THE POSITION WHERE A PROPERTY STORMWATER CONNECTION IS PROVIDED TO AN UNDERGROUND STORMWATER PIPE OR PIT.

**KERB MARKINGS**  
N.T.S.

**NOTES:**

1. WIDTH AND DEPTH OF LETTERS TO BE 2–5mm.

NOT TO SCALE

AMENDMENTS		INITIALS	KERB MARKINGS	
DATE	DETAILS	T.D	VERSION: A	DRAWING NO:
AUG 2022	INITIAL HUME STANDARDS UPDATE			SD105

