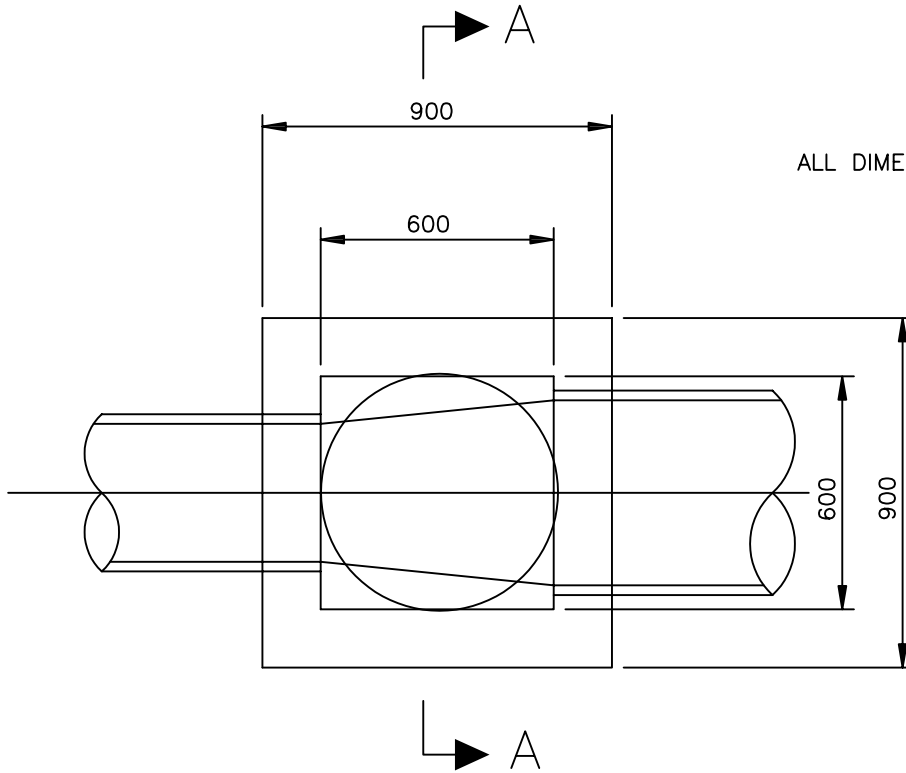
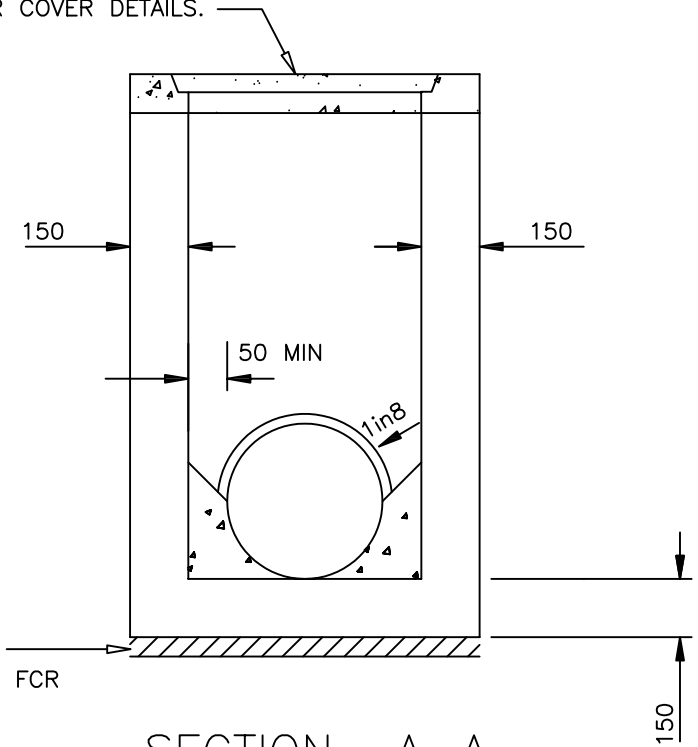


100mm PRECAST CONCRETE LID  
WITH CIRCULAR CAST IRON INSERT.  
SEE STD. DWG SD274 FOR COVER DETAILS.

ALL DIMENSIONS IN MILLIMETRES



PLAN



SECTION A-A

NOTES:

1. ALL WALLS TO BE 150mm THICK
2. THE TOP OF THE PIT SHALL MATCH THE EXISTING SURFACE
3. THE PIT IS ONLY TO BE USED IN EASEMENT DRAINAGE, WITH PIPE DIAMETER LIMITED TO 450mm AND PIT DEPTH 900mm.
4. FOR PIT DEPTH GREATER THAN 900mm OR PIPE DIAMETER GREATER THAN 450MM, PIT SIZE TO BE 900 X 600mm. REFER TO STD. DWG. SD230
5. PRECAST CONCRETE COVER WITH CLASS B CIRCULAR CAST IRON INSERT TO BE USED ON ALL PITS OVER 600 X 600mm. REFER TO STD. DWG. SD275
6. PIT TO BE HAUNCHED FOR PIPE DIAMETERS OVER 450mm OR DEPTH EXCEEDING 2.0m, REFER TO STD. DWG. SD245
7. PROVIDE STEP IRONS FOR PIT DEPTHS EXCEEDING 1.0m, REFER TO STD. DWG. SD280
8. PRECAST CONCRETE COVER WITH CLASS B CIRCULAR CAST IRON INSERT TO BE USED ON ALL PITS OVER 600 X 600mm. REFER TO STD. DWG. SD275

| Amendments |                             |          |         |
|------------|-----------------------------|----------|---------|
| No.        | Detail                      | Initials | Date    |
| 1.         | PIT COVER CHANGED TO SD 274 | R.C.     | Sept 05 |
|            |                             |          |         |
|            |                             |          |         |
|            |                             |          |         |

|            |             |
|------------|-------------|
| DRAWN :    | S. GUCH     |
| CHECKED :  | R. DEVAPURA |
| APPROVED : | S. PLATER   |
| SCALE :    | 1 : 20      |
| DATE:      | JUNE 2004   |



PO Box 119  
1079 Pascoe Vale Road  
Broadmeadows  
Victoria 3047

Telephone  
03) 9205 2200

Facsimile  
03) 9309 0109

EASEMENT PIT (600x600)

DRAWING NO: SD235