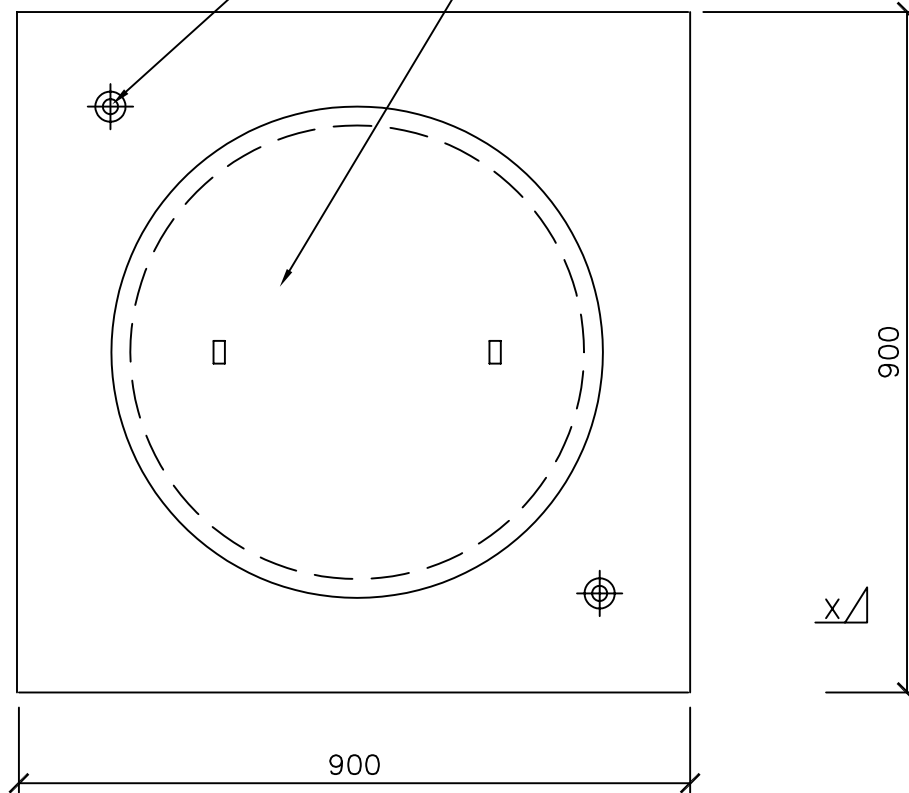
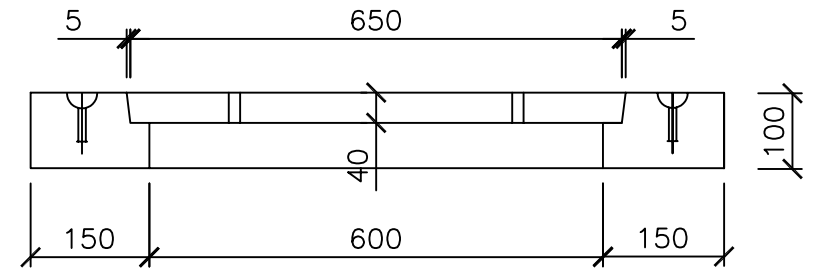


2 NO. 1.3 TONNE X 55 LONG
SWIFT LIFTS FOR HANDLING

CLASS B CONCRETE FILLED
CIRCULAR CAST IRON INSERT WITH
2 STANDARD LIFTING KEY LUGS



PLAN



SECTION X-X

- NOTES: 1. THIS PIT LID TO BE USED ON EASEMENT PITS WITH INTERNAL DIMENSIONS 600 x 600.
2. CONCRETE STRENGTH 25Mpa AT 28 DAYS

ALL DIMENSIONS ARE IN MILLIMETRES.

Amendments			
No.	Detail	Initials	Date

DRAWN :	R. CHARTERS
CHECKED :	R. DEVAPURA
APPROVED :	S. PLATER
SCALE :	1 : 15
DATE:	SEPT 2005



PO Box 119
1079 Pascoe Vale Road
Broadmeadows
Victoria 3047

Telephone
03) 9205 2200

Facsimile
03) 9309 0109

PRECAST CONCRETE PIT LID
WITH CAST IRON INSERT FOR
600mm x 600mm EASEMENT PITS.
DRAWING NO: SD274