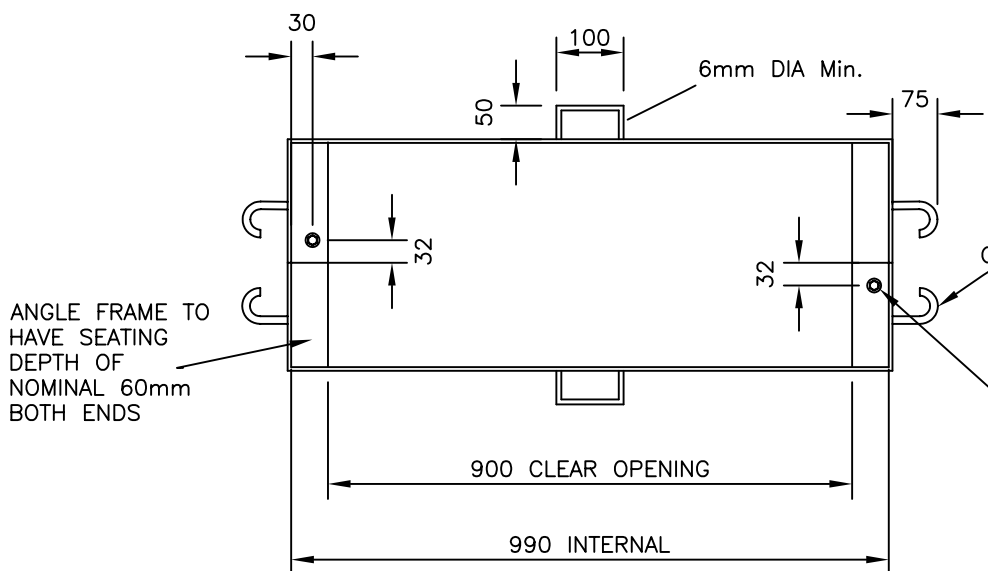


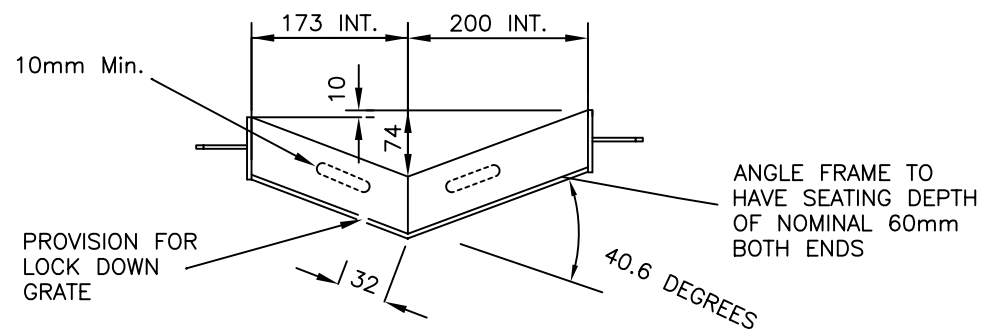
GRATE

NOTES:

1. GRATE PATTERN TO BE DESIGNED BY MANUFACTURER TO FIT THE FRAME.
2. GRATE TO BE BIKE SAFE, ABLE TO BE LOCKED DOWN, HOT DIP GALVANISED OR CAST IRON.
3. GRATE TO BE CLASS D IN ACCORDANCE WITH AS. 3996.
4. APPROVED GRATES TO BE USED ONLY AFTER SUBMISSION OF TEST RESULTS FROM NATA APPROVED TESTERS.
5. FRAME AND LUGS TO BE FULLY WELDED FROM OUTSIDE ONLY.
6. ALL DIMENSIONS IN MILLIMETRES.



FRAME



SECTION THROUGH FRAME

Amendments			
No.	Detail	Initials	Date

DRAWN : R. CHARTERS
 CHECKED : R. DEVAPURA
 APPROVED : S. PLATER
 SCALE : N.T.S
 ISSUE DATE: JUNE 2004



PO Box 119
 1079 Pascoe Vale Road
 Broadmeadows
 Victoria 3047
 Telephone
 03) 9205 2200
 Facsimile
 03) 9309 0109

GRATE DETAIL
 SM2 KERB AND CHANNEL
 DRAWING NO: SD277