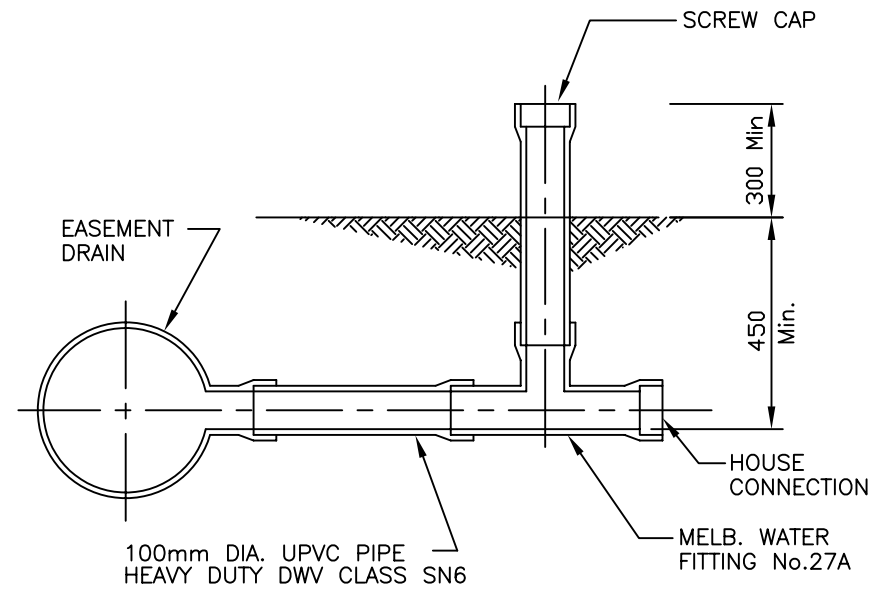


EASEMENT CONNECTION



TYPE 'B' SHALLOW CONNECTION

NOTES:

1. TYPE 'B' EASEMENT CONNECTION SHALL BE ADOPTED WHEN INVERT OF DRAIN IS 600 OR LESS BELOW NATURAL SURFACE LEVEL.
2. BACKFILL AROUND RISER TO BE 10 CRUSHED ROCK (LIQUID FILL).
3. ALL JOINTS ON PVC PIPE TO BE SEALED WITH SOLVENT WELD CEMENT (TYPE N OR P), OR RUBBER RING JOINT.

Amendments			
No.	Detail	Initials	Date
1.	UPVC PIPE CLASS CHANGED TO NEW CODE	R.C.	Jan 05

DRAWN : D. SALAZAR
 CHECKED : R. CHARTERS
 APPROVED : S. PLATER
 SCALE : 1 : 20
 ISSUE DATE: JUNE 2004



PO Box 119
 1079 Pascoe Vale Road
 Broadmeadows
 Victoria 3047
 Telephone
 03) 9205 2200
 Facsimile
 03) 9309 0109

TYPE :	PROPERTY CONNECTION TO EASEMENT DRAIN. SHALLOW CONNECTION
DRAWING NO:	SD288