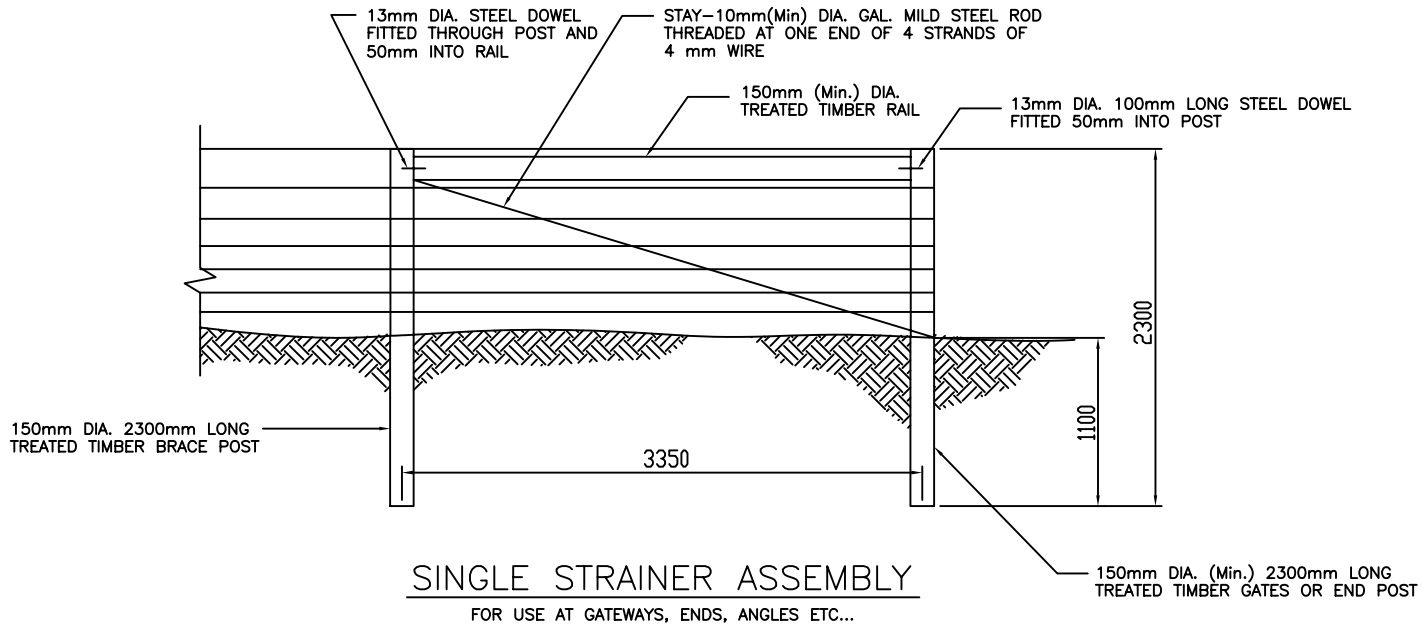


TYPICAL ELEVATION



SINGLE STRAINER ASSEMBLY

FOR USE AT GATEWAYS, ENDS, ANGLES ETC...

Amendments				
No.	Zone	Detail	Initials	Date

DRAWN : D. SALAZAR
 CHECKED : S. BHALLA
 APPROVED : S. PLATER
 SCALE : 1 : 50
 ISSUE DATE: JUNE 2004



PO Box 119
 1079 Pascoe Vale Road
 Broadmeadows
 Victoria 3047
 Telephone
 03) 9205 2200
 Facsimile
 03) 9309 0109

TYPE :
 STANDARD FENCE
 DRAWING NO: SD404