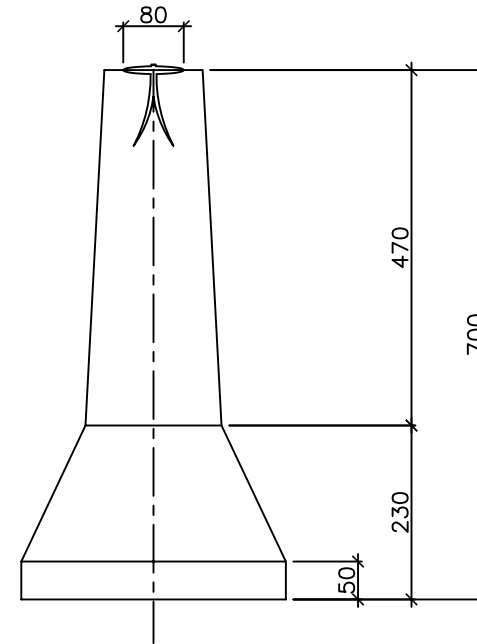


PLAN



SECTION

NOTES.

1. SURVEY MARKER TO BE INSTALLED WITHIN FOOTPATH AREAS WHERE POSSIBLE.

	Initials	Date	DRAWN :	S. ADAMS
Note 1 Added	R.C.	Jan 05	CHECKED :	S. PLATER
			APPROVED :	S. PLATER
			SCALE :	1:10
			ISSUE DATE:	JUNE 2004



PO Box 119
1079 Pascoe Vale Road
Broadmeadows
Victoria 3047

Telephone
03) 9205 2200

Facsimile
03) 9309 0109

TYPE :
STANDARD PERMANENT SURVEY MARKER

DRAWING NO: SD 410