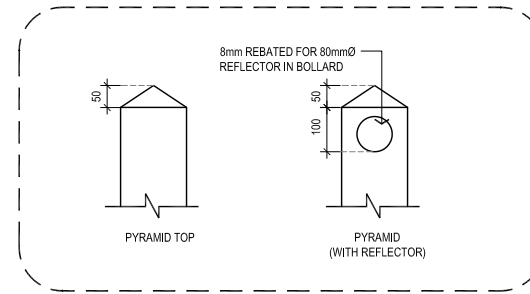
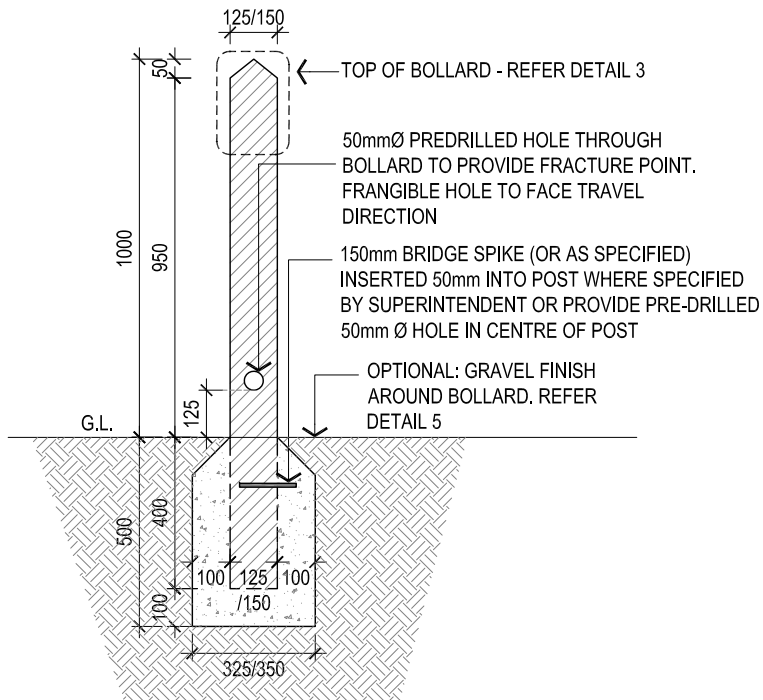


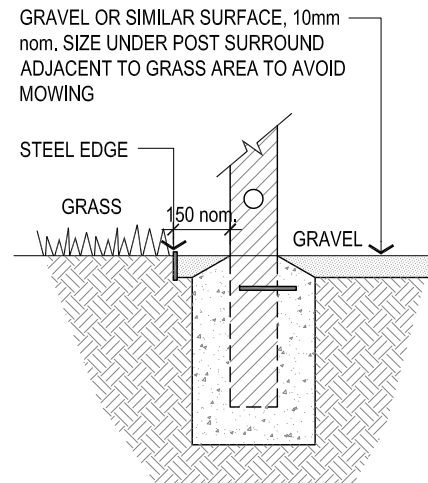
**1** BOLLARD  
PLAN SCALE: 1:50



**3** BOLLARD TOP FORM  
ELEVATION SCALE: NTS



**2** BOLLARD  
DETAIL SECTION SCALE: 1:20



**4** OPTIONAL - GRAVEL FINISHING  
SECTION SCALE: 1:20

**NOTES:**

**1. BOLLARD / POST WIDTHS:**

- 125 x 125mm
- 150 x 150mm

**2. APPROVED BOLLARD MATERIALS:**

- Solid Wood Plastic Composite
- Solid Recycle Plastic
- Dark color (dark grey/charcoal/black)