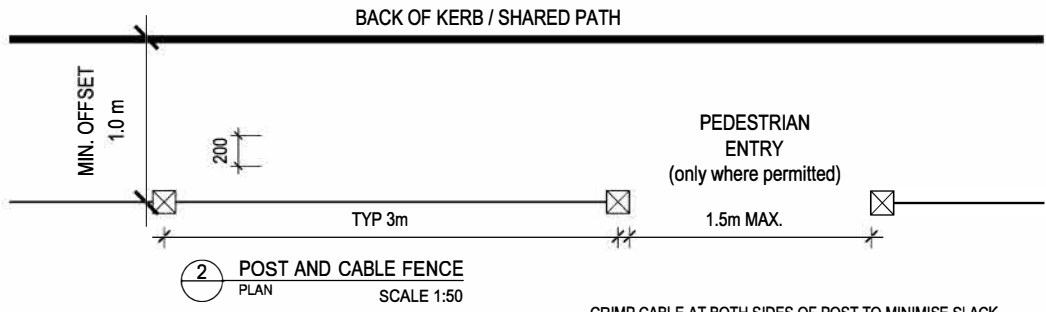
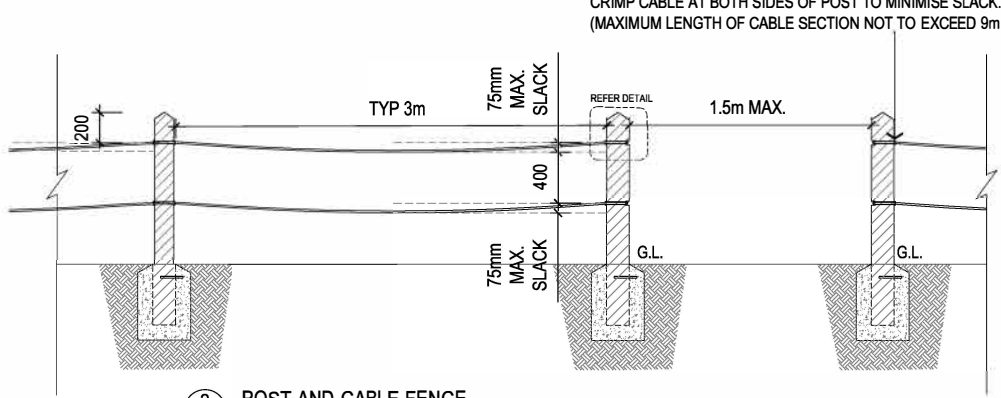


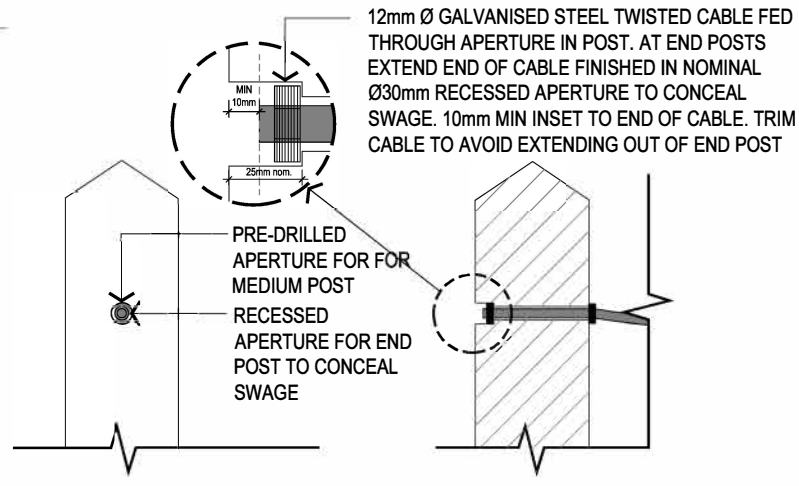
**1 BOLLARD**  
DETAIL SECTION SCALE 1:20



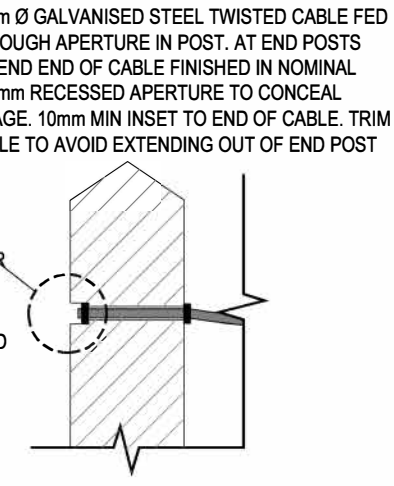
**2 POST AND CABLE FENCE**  
PLAN SCALE 1:50



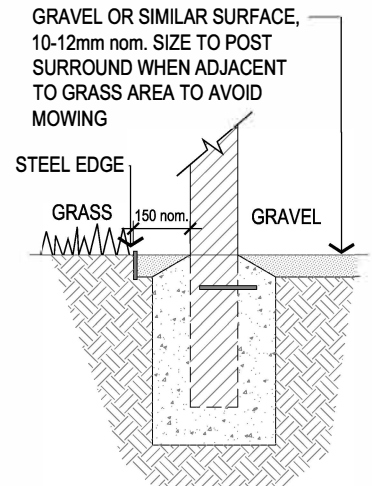
**3 POST AND CABLE FENCE**  
ELEVATION / SECTION SCALE 1:50



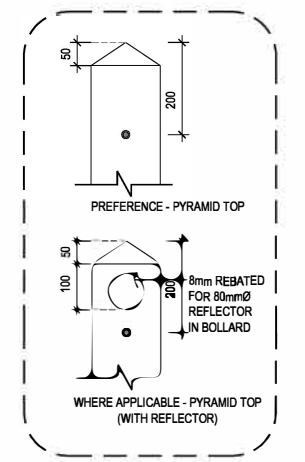
**4 CABLE ASSEMBLY**  
CROSS SECTIONS SCALE 1:10



**5 END CABLE ASSEMBLY**  
CROSS SECTIONS SCALE 1:10



**7 OPTIONAL - GRAVEL FINISHING**  
SECTION SCALE 1:20



**6 BOLLARD TOP FORM**  
ELEVATION SCALE: NTS

**NOTES:**

FINAL SETOUT TO BE CONFIRMED ONSITE WITH COUNCIL

**BOLLARD / POST WIDTHS:**

- 125 x 125mm
- 150 x 150mm

**APPROVED BOLLARD MATERIALS:**

- Solid Plastic Composite, charcoal colour
- Solid Recycled Plastic, charcoal colour



PO Box 119  
1079 Pascoe Vale Road  
Broadmeadows  
Victoria 3047  
Telephone  
(03) 9205 2200  
Facsimile  
(03) 9309 0109  
<http://www.hume.vic.gov.au>

STATUS:	FOR USE
DRAWN:	28/03/2014
UPDATED:	03/04/2024
SCALE:	AS SHOWN

**STANDARD LANDSCAPE DRAWING**

# FENCING - POST AND DOUBLE CABLE

## -FOR CONSERVATION RESERVES

**DRAWING NO.**  
**SLD - 3.2**