

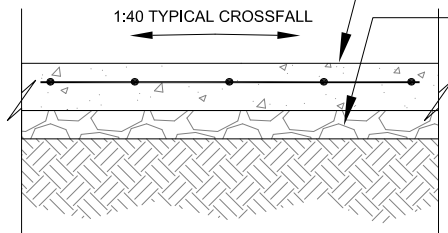
01 SEAT BOLTED DOWN TO CONCRETE SLAB  
ELEVATION 1:20

NOTE:

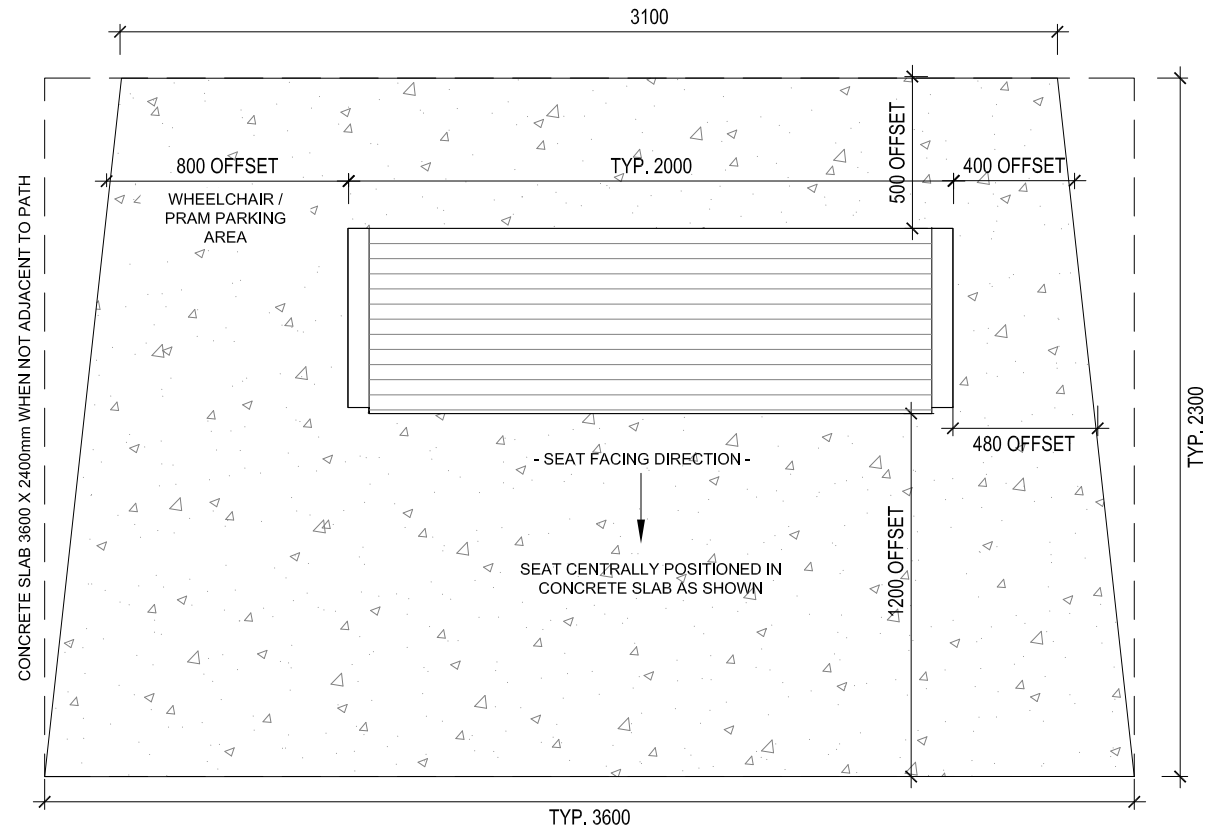
FOR CONCRETE JOINTS REFER TO ENGINEERING STANDARD DRAWINGS.

32MPA CONCRETE WITH SL72 MESH 50mm TOP COVER, PROVIDE BROOM FINISH

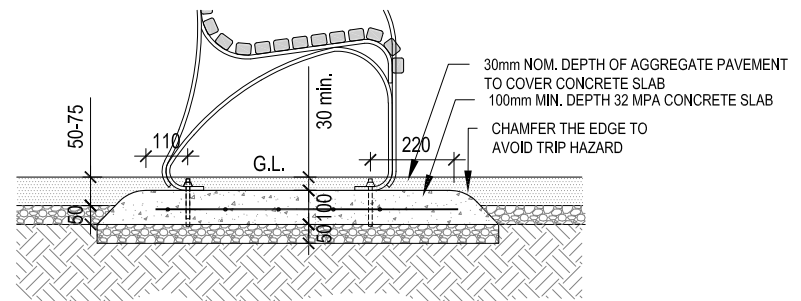
75mm DEPTH CLASS 3 COMPACTED CRUSHED ROCK



02 CONCRETE SLAB DETAIL  
DETAIL 1:20



03 SEAT LAYOUT: ADJACENT TO PATH  
PLAN 1:25



04 CONCRETE SLAB  
ELEVATION / SECTION 1:20