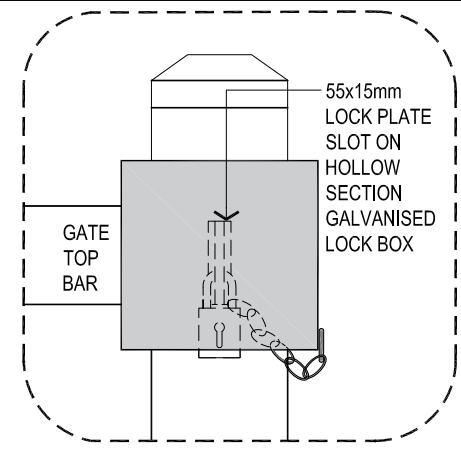
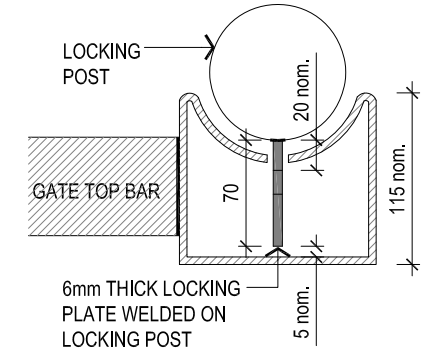


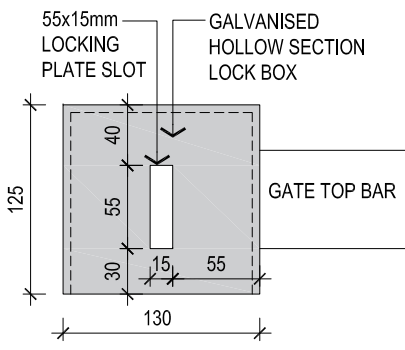
1 MAINTANANCE ACCESS GATE
ELEVATION / SECTION SCALE 1:25



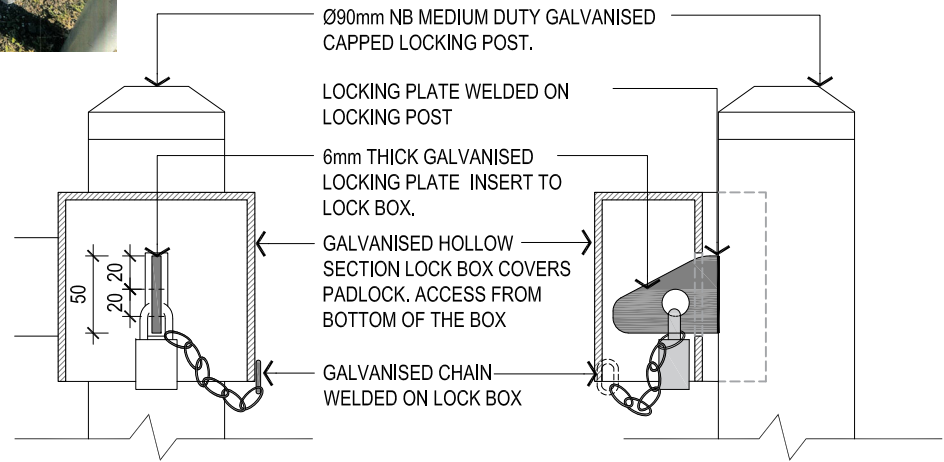
2 CURVED LOCK BOX
BACK ELEVATION SCALE 1:5



3 CURVED LOCK BOX
PLAN SCALE 1:5



4 CURVED LOCK BOX
FRON ELEVATION SCALE 1:5



5 CURVED LOCK BOX
FRONT DETAIL SECTION SCALE 1:5

6 CURVED LOCK BOX
SIDE DETAIL SECTION SCALE 1:5

NOTES:

FENCING GATE TO BE GALVANISED STEEL, WITH PADLOCK TO BE SUPPLIED BY COUNCIL

EXTEND GATE POST TO CONCRETE FOOTING, DIMENSION SUBJECT TO ENGINEER DRAWING.
ENSURE FOOTING CONCEALED BELOW SURFACE LEVEL.

ALL SITE WELDS TO BE COLD GALVANISED COATED.

ALL MATERIALS ARE TO CONFORM TO THE FOLLOWING STANDARDS:

- COMPOSITE MATERIALS: ASTM D7032-17 *Standard Specification for Establishing Performance Ratings for Wood-Plastic Composite and Plastic Lumber Deck Boards, Stair Treads, Guards, and Handrails.*
- CONCRETE: AS 1379-2007 *Specification and supply of concrete.*
- GALVANISED FITTINGS: AS/NZS 1214:2016 *Hot-dip galvanised coatings on threaded fastener (ISO metric coarse thread series) (ISO 10684:2004, MOD)*
- GALVANISED MATERIALS: AS/NZS 4680:2006 *Hot-dip galvanised (zinc) coatings on fabricated ferrous articles.*
- STAINLESS STEEL: AS 2837, 316 Grade.



PO Box 119
1079 Pascoe Vale Road
Broadmeadows
Victoria 3047
Telephone
(03) 9205 2200
Facsimile
(03) 9309 0109
<http://www.hume.vic.gov.au>

STATUS:	APPROVED
DRAWN:	S.ZHOU
UPDATED:	08 / 2019
SCALE:	AS SHOWN

STANDARD LANDSCAPE DRAWING
MAINTENANCE ACCESS GATE
- LIGHT DUTY / SINGLE LOCK

DRAWING NO.
SLD - 6.1